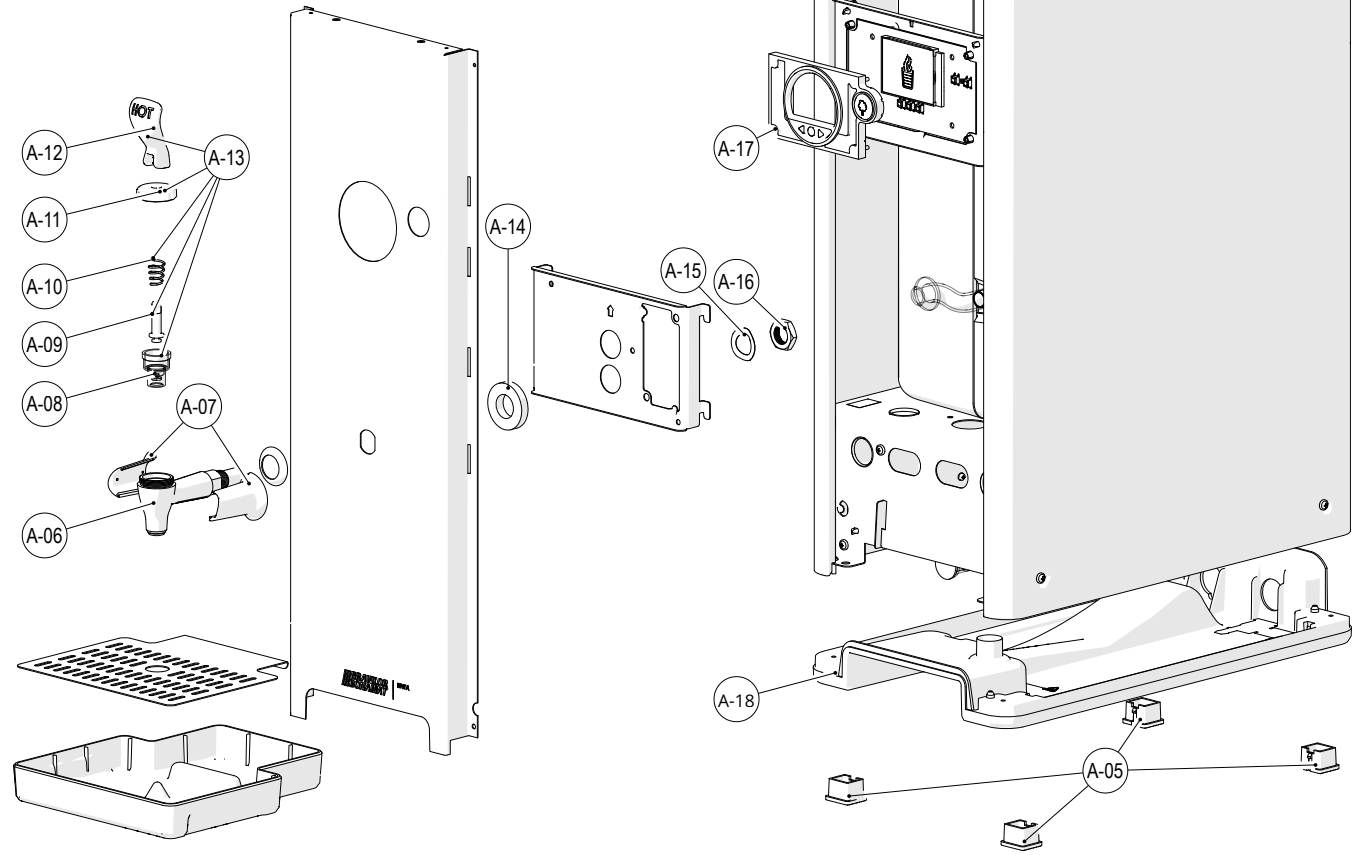
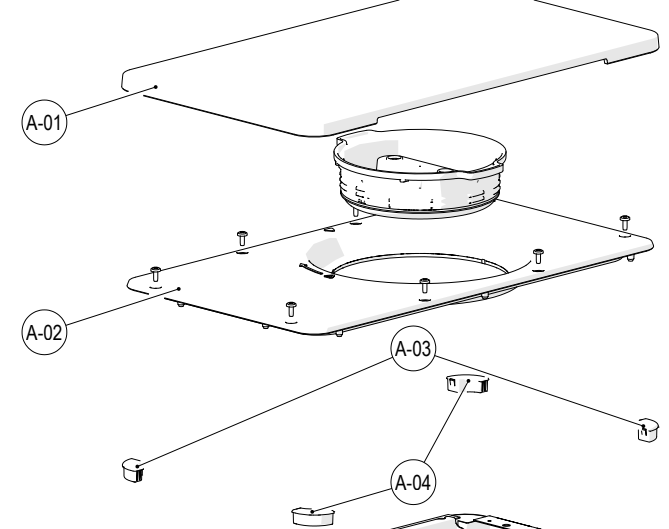
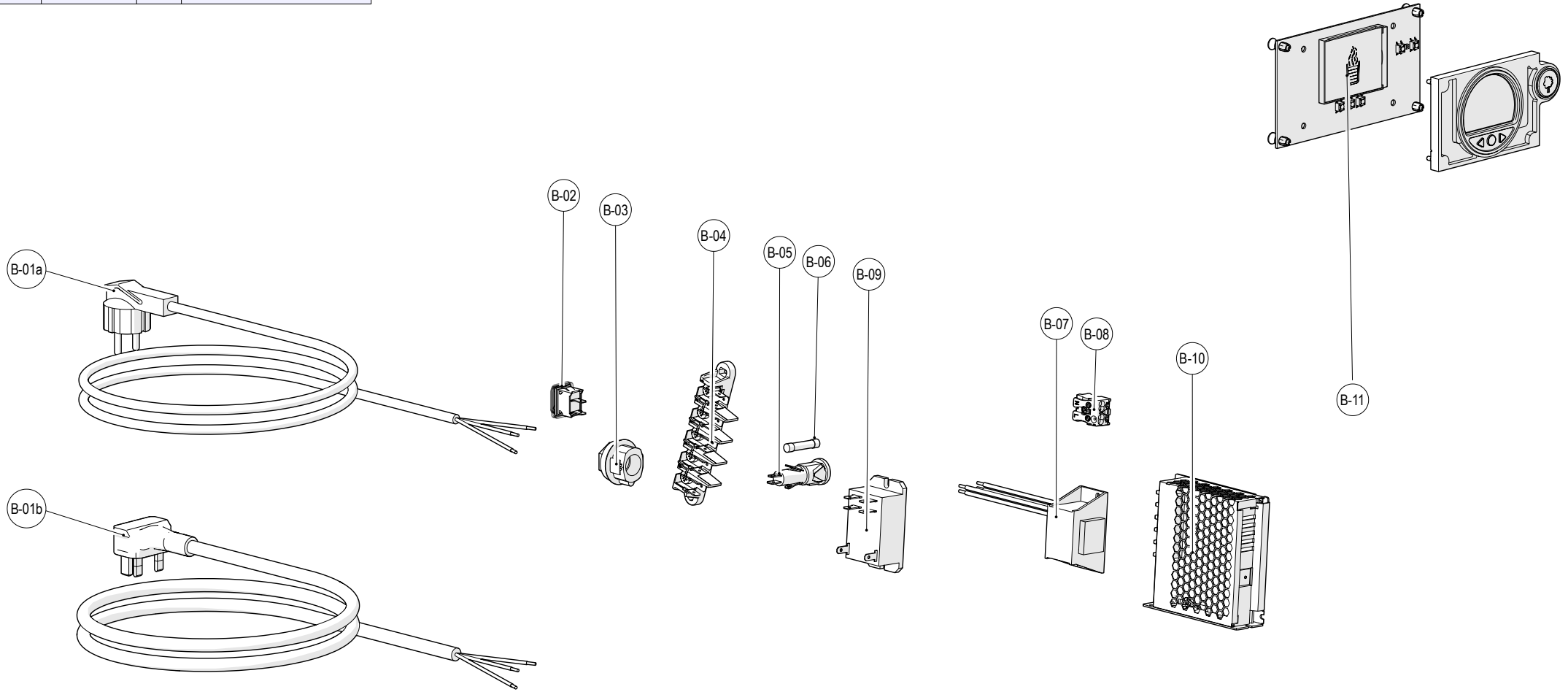


ID	Service parts	S-RS	Description
A-01	6.236.546.000	S	Housing lid (assy)
A-02	6.236.547.001	DT	Top part housing
A-03	6.236.591.001	DT	Corner piece FL/RB
A-04	6.236.592.001	DT	Corner piece LB/FR
A-05	6.401.004.001	S	Insert foot (1 pc)
A-06	6.236.563.001	S	Tap housing
A-07	6.236.830.000	S	Protection cover
A-08	6.015.001.213	RS	Rubber cup
A-09	6.015.001.214	S	Tap leverrod
A-10	6.015.001.215	RS	Compression spring for tap
A-11	6.236.564.001	S	Cap faucet
A-12	6.236.567.001	S	Lever faucet handdrain
A-13	6.000.236.114	S	Tap (manual) assy
A-14	6.236.593.001	DT	Spacer
A-15	6.331.097.001	DT	Spring washer
A-16	6.331.023.001	DT	Nut M16X1
A-17	6.236.559.000	S	Program keys
A-18	6.236.548.001	S	Bottom part HWA 14(D) / 21

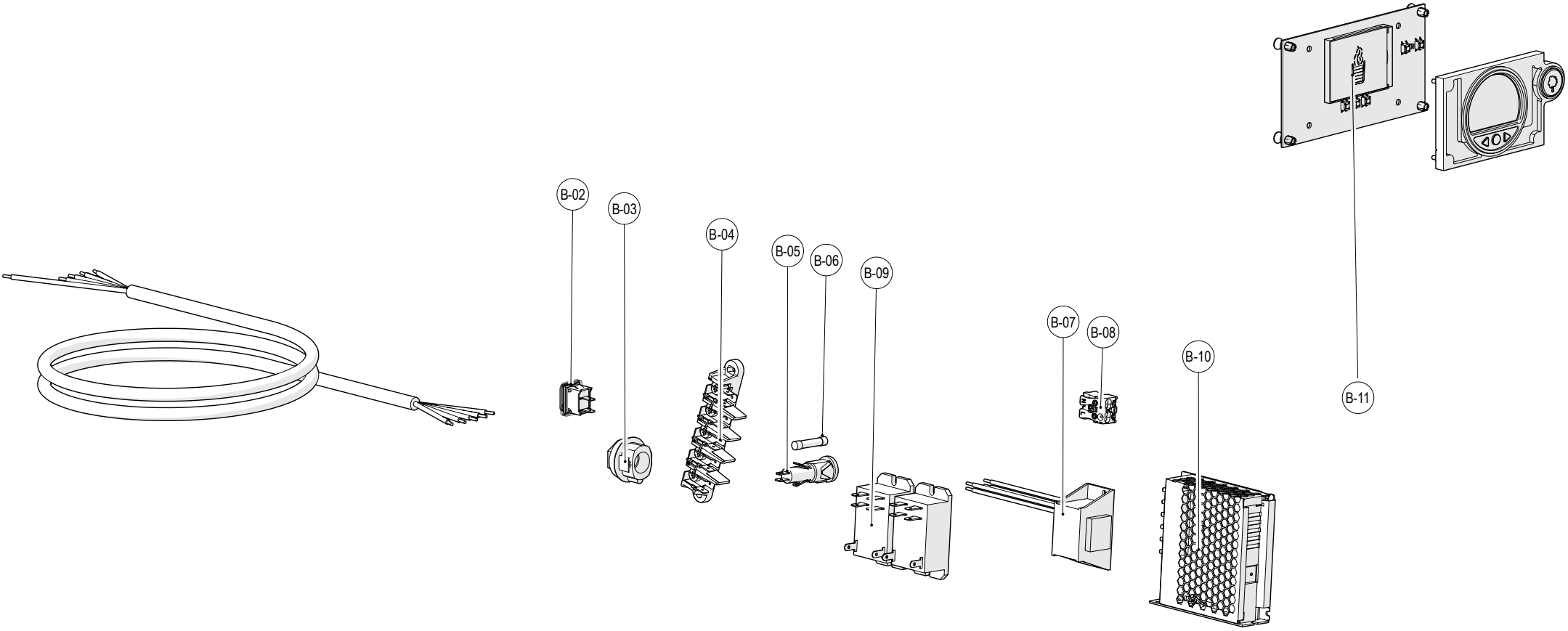


230V

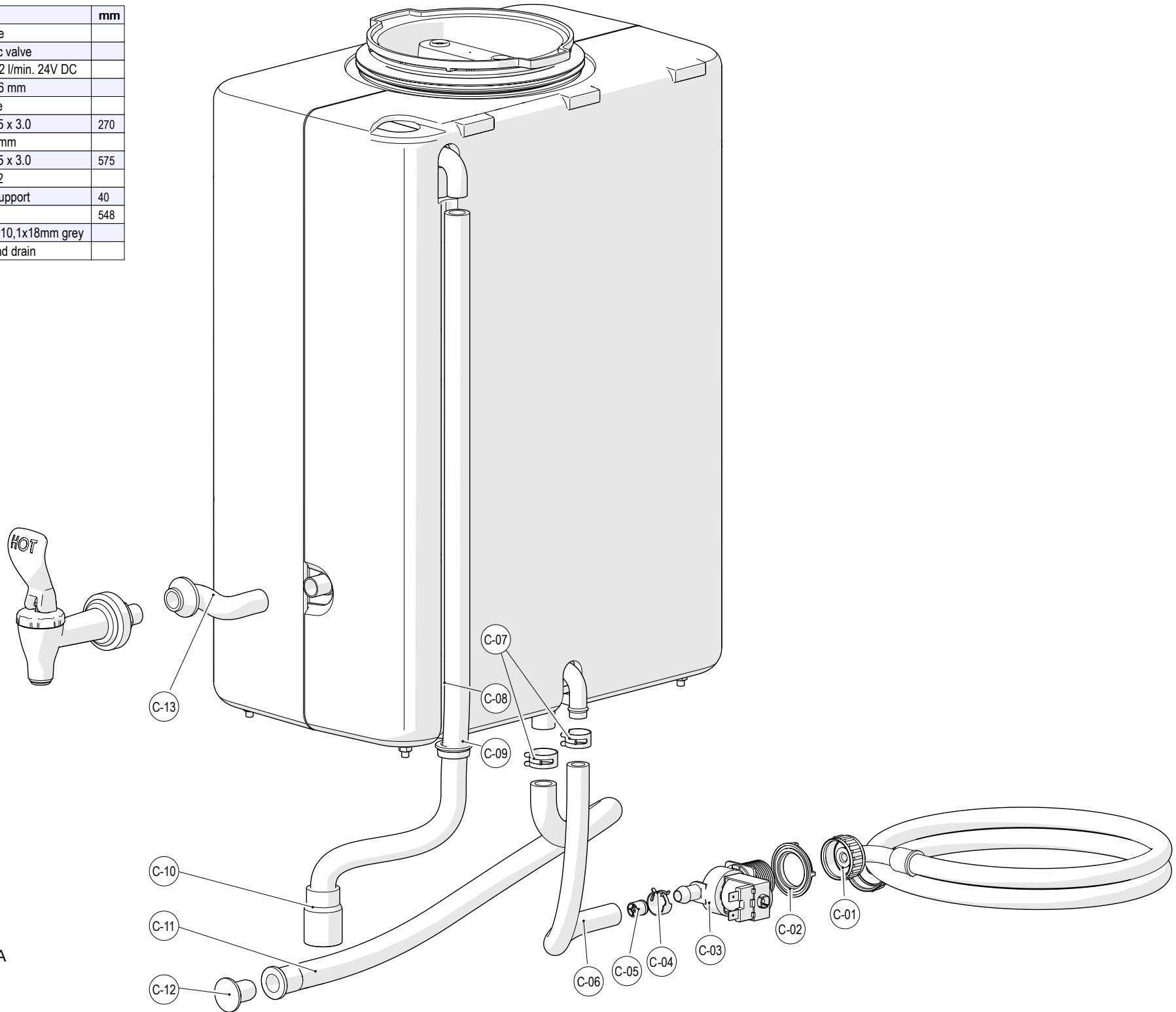
ID	Service parts	S-RS	Description
B-01a	6.003.012.062	S	Connection cord (STD)
B-01b	6.003.012.118	S	Connection cord (GB)
B-02	6.004.001.089	RS	Switch
B-03	6.006.001.063	S	Strain relief
B-04	6.002.019.160	DT	Connection clamp
B-05	6.005.012.008	S	Fuse holder 2 parts
B-06	6.005.011.016	S	Fuse 4A (10 pcs)
B-07	6.236.668.000	S	Suppression coil
B-08	6.002.001.037	S	Connection clamp
B-09	6.004.002.093	RS	Relay
B-10	6.004.011.112	RS	Switching power supply 24V-75
B-11	6.236.558.001	RS	Mainboard + Firmware



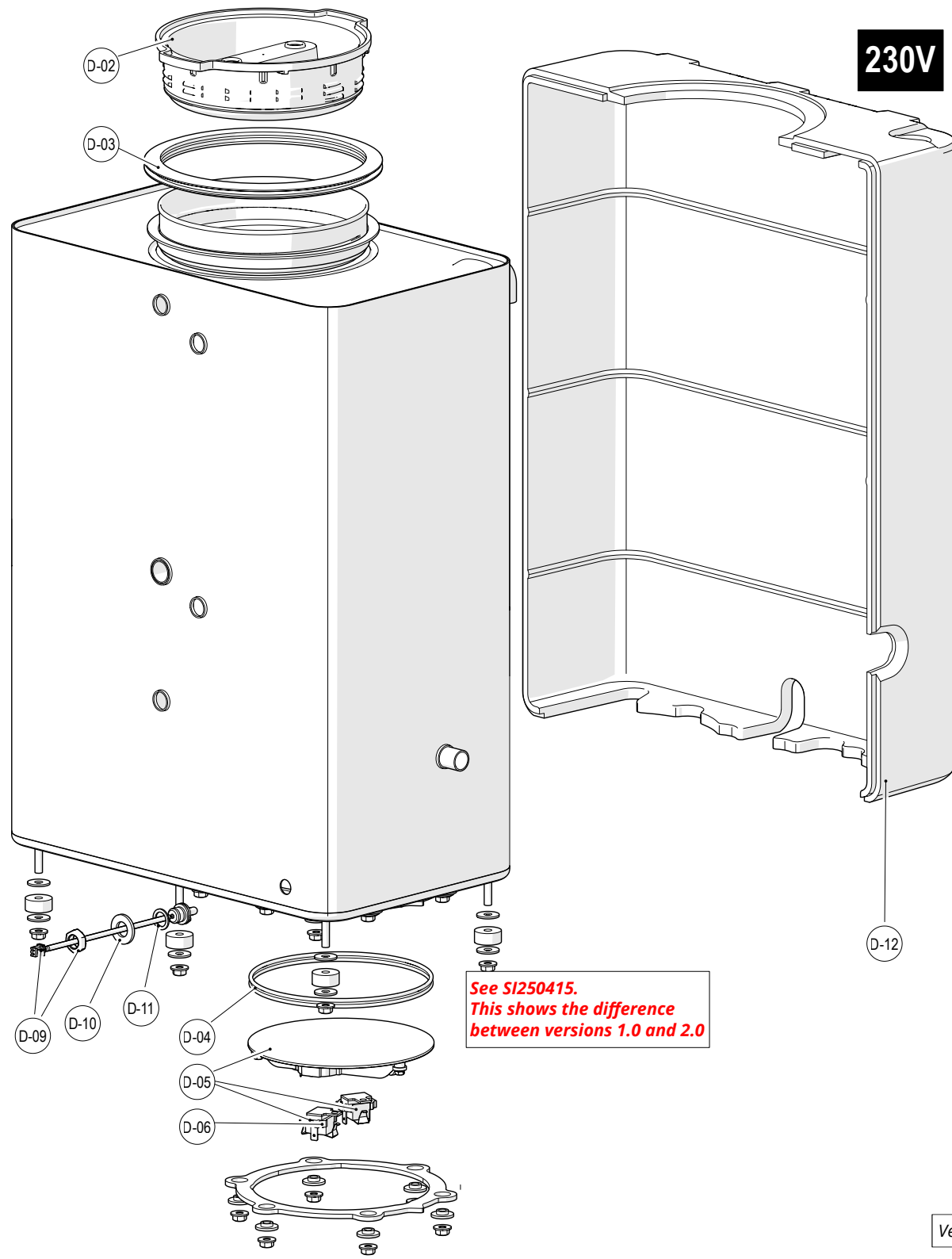
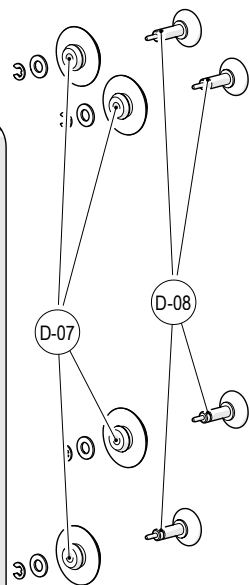
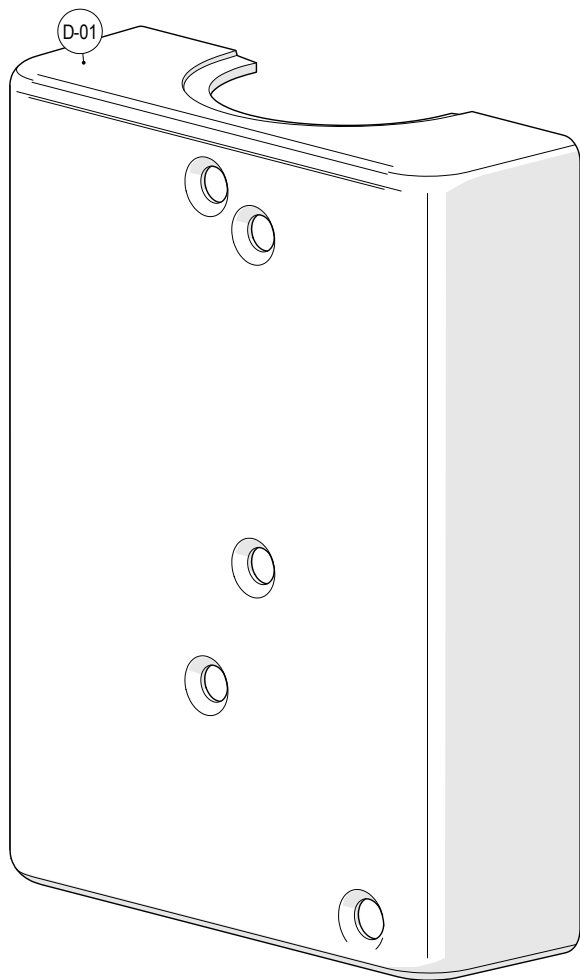
ID	Service parts	S-RS	Description
B-02	6.004.001.089	RS	Switch
B-03	6.006.001.063	S	Strain relief
B-04	6.002.019.160	DT	Connection clamp
B-05	6.005.012.008	S	Fuse holder 2 parts
B-06	6.005.011.016	S	Fuse 4A (10 pcs)
B-07	6.236.668.000	S	Suppression coil
B-08	6.002.001.037	S	Connection clamp
B-09	6.004.002.093	RS	Relay
B-10	6.004.011.112	RS	Switching power supply 24V-75
B-11	6.236.558.003	RS	Mainboard + Firmware



ID	Service parts	S-RS	Description	mm
C-01	6.000.205.111	S	Connection hose	
C-02	6.202.848.001	S	Nut for magnetic valve	
C-03	6.016.001.096	RS	Magnetic valve 2 l/min. 24V DC	
C-04	6.001.079.003	S	Tube clamp 15.6 mm	
C-05	6.013.005.018	S	Non-return valve	
C-06	6.019.033.014	S	Silicone tube 9.5 x 3.0	270
C-07	6.001.079.006	S	Tube clamp 19 mm	
C-08	6.019.033.013	S	Silicone tube 9.5 x 3.0	575
C-09	6.006.002.082	DT	Inlet Bush 18x22	
C-10	6.311.073.001	S	Overflow tube support	40
C-11	6.233.066.001	S	Drain hose	548
C-12	6.329.539.001	S	Tightening plug 10,1x18mm grey	
C-13	6.236.585.001	S	Hose faucet hand drain	



ID	Service parts	S-RS	Description
D-01	6.236.580.001	DT	Insulation part 2
D-02	6.236.776.000	S	Screw cap boiler
D-03	6.236.554.001	RS	Sealing ring boiler
D-04	6.236.557.001	RS	Sealing ring element
D-05	6.236.549.000	RS	Element 240V 2500W + 500W
D-06	6.016.008.093	RS	High temp safety device 298°C
D-07	6.236.551.001	RS	Holder level sensor
D-08	6.236.552.001	RS	Level sensor
D-09	6.236.587.000	RS	Tempaturesensor complete
D-10	6.001.009.006	DT	Washer
D-11	6.011.031.007	RS	Packingering 10x14x1 Clipperlon
D-12	6.236.581.001	DT	Insulation part 1



**See SI250415.**  
**This shows the difference**  
**between versions 1.0 and 2.0**

ID	Service parts	S-RS	Description
D-01	6.236.580.001	DT	Insulation part 2
D-02	6.236.776.000	S	Screw cap boiler
D-03	6.236.554.001	RS	Sealing ring boiler
D-04	6.236.557.001	RS	Sealing ring element
D-05	6.236.549.000	RS	Element 240V 2500W + 500W
D-06	6.016.008.093	RS	High temp safety device 298°C
D-07	6.236.551.001	RS	Holder level sensor
D-08	6.236.552.001	RS	Level sensor
D-09	6.236.587.000	RS	Tempaturesensor complete
D-10	6.001.009.006	DT	Washer
D-11	6.011.031.007	RS	Packingering 10x14x1 Clipperlon
D-12	6.236.581.001	DT	Insulation part 1

